

General Specification & Application Data

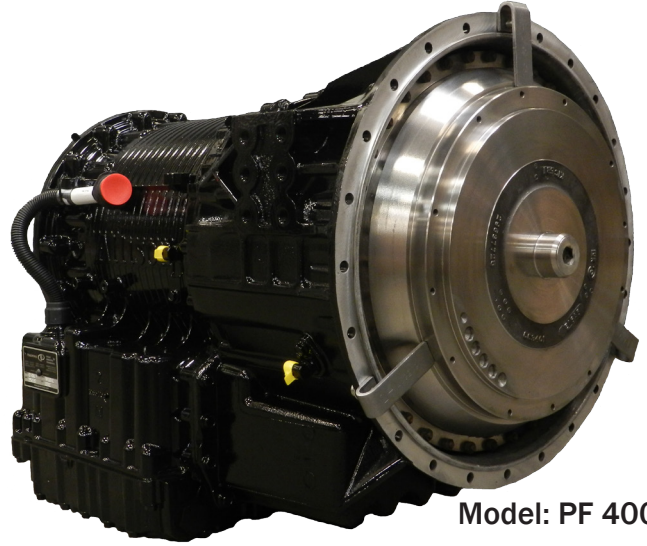
**POWERFORCE® - A Premium Brand for Power and Drive Remanufactured Transmissions:**

POWERFORCE® is the premium brand offered by Central Power Systems & Services. With the expertise to produce, in volume, a quality, durable, reliable, and price competitive remanufactured Allison transmission.

All POWERFORCE® transmissions are completely remanufactured.....  
.....NOT rebuilt!

By using proprietary factory specifications, lean manufacturing procedures, genuine OEM parts, state-of-the-art test equipment, and proper final calibrations, POWERFORCE® transmissions guarantee the highest quality and best value for our customers.

As an Allison Distributor since 1953, it's our #1 goal to ensure quality first. All POWERFORCE® Allison transmissions are remanufactured back to the original factory specifications. With up-to-date training and factory certified overhaul specialists, it's our pleasure to offer you POWERFORCE® the most dependable remanufactured product available.



Model: PF 4000

Model shown is a remanufactured POWERFORCE® HD 4560P

Power Ratings	Unit	Diesel	Gasoline
Max Net Input Power Range	HP	380 - 600	N.A.
Max Net Input Torque Range	lb ft	1217 - 1950	N.A.

**General Rating:**

Application ratings vary significantly from general ratings. Contact Central Power Systems & Services for specific vocational ratings.

Transmission Model and Applications	
Original Manufacturer	Allison
Allison Series	4000
Allison Model Number	HD 4060, HD 4560, HD 4070/4076, 4000, 4500, 4700, 4750 *( P ) ( R )
Remanufacturer	POWERFORCE®
POWERFORCE® Model Number	PF 4000
Applications/Vocation	Linehaul/Shorthaul
	Construction Hauler, Dump Truck
	Agricultural Tractor, Motorhome
	Transit Mixer, Fire Truck
	Wrecker, Refuse (Side Load), Refuse
	On/Off Highway Logging Truck
	Lowboy Equipment Hauler
	Tactical Military vehicles
* Other Applications Available	
Transmission Specifications	
Full Load Governed Speed Diesel	1700-2300 rpm
Engine Mounting	SAE#1 Flywheel Housing Additional Adaptation Required
Oil Pan Options	Deep Oil Sump, Shallow Oil Sump
Fluid Type	TES™ 295 or TES™ 389 Approved Fluid
Torque Converter Options	
Ratios	TC 521 (2.42:1), TC 531 (2.34:1), TC 541 (1.90:1), TC 551 (1.79:1), TC 561 (1.58:1), TC 571 (1.62:1)

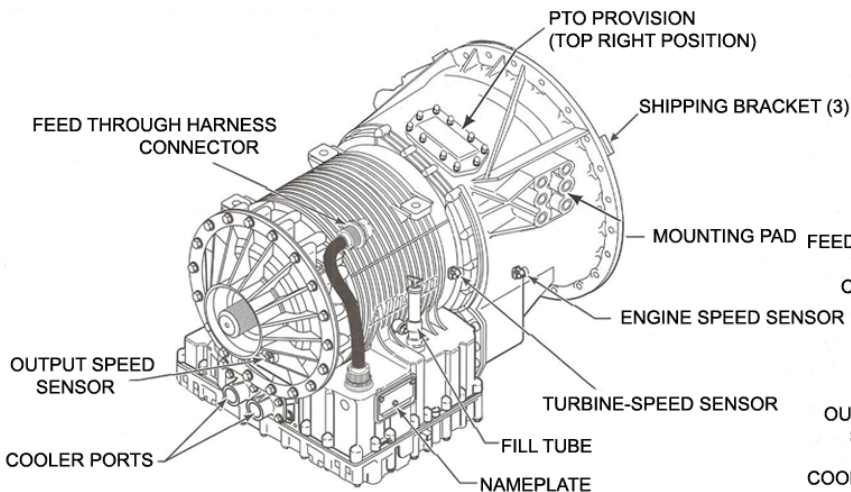
Gear Ratios	HD 4060	HD 4560	4700 OFS	
	(Gear ratio does not include torque converter ratio)			
** Only available in specific models	1st Range	3.51:1	4.70:1	7.63:1
	2nd Range	1.91:1	2.21:1	3.51:1
	3rd Range	1.43:1	1.53:1	1.91:1
	4th Range	1.00:1	1.00:1	1.43:1
	5th Range	0.74:1	0.76:1	1.00:1
	6th Range	0.64:1	0.67:1	0.74:1
	7th Range	N.A.	N.A.	0.64:1
	Rev. Range	-4.80:1	-5.55:1	-4.80:1
2nd Rev. Range	N.A.	N.A.	** -17.12	
Power Take-Off Gear Ratings		PTO One Side	PTO Both Sides	
Continuous Operation		930 lb ft Max.	1595 lb ft Max.	
Shift Sequence				
Gear Ranges	(D) 1C-2C-2L-3L-4L-5L-6L			
	(5) 1C-2C-2L-3L-4L-5L			
	(4) 1C-2C-2L-3L-4L			
	(3) 1C-2C-2L-3L			
	(2) 1C-2C-2L			
Second Gear Start Option		Option Available		
C= Drive through the torque converter; L= Drive with Lockup engaged				

Operators of the transmissions remanufactured by the POWERFORCE® team are assured a quality unit that considerably enhances the life of the equipment. The following below summarizes why it's wise to select POWERFORCE®. A Premium Brand For Power and Service:

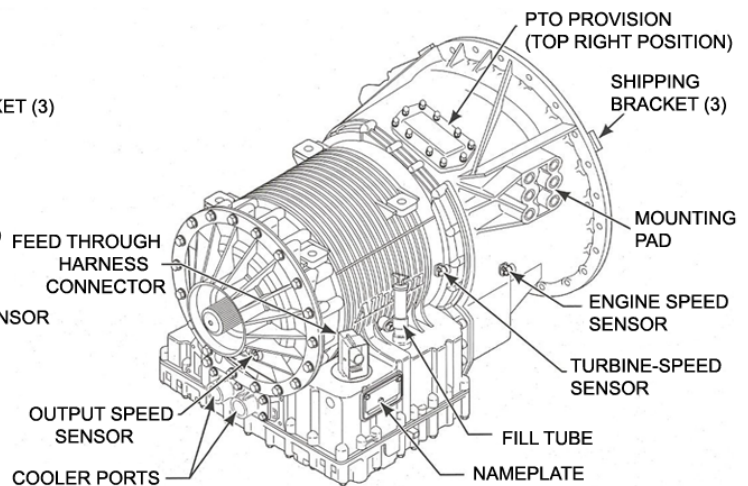
- Remanufactured....not rebuilt or repaired
- Remanufactured back to the original factory OEM specifications
- A certified Allison transmission remanufacturing distributor
- All transmissions are dyno'd, pressure and leak checked, and load tested
- A custom built remanufacturing facility
- Large inventory for premium remanufactured swing transmissions
- 60 years of transmission experience as an Allison distributor
- Factory certified transmission specialists
- Established track record in performance and reliability
- Backed-up by the POWERFORCE® warranty

## Model: PF 4000 Transmission

## Transmission Configuration Details



3rd Generation Model



4th Generation Model

Fluid Specifications				Transmission Dimensions * (All dimensions are in inches)				
Initial Fill US Quarts Per Pan Size **				Fluid Type	L = Length	W = Width	H = Height	Model Dry Weights lbs
Deep Pan		Shallow Pan		TES™ 295 or TES™ 389 Approved Fluid	34.1	22.5	25.0	Base Model
w / PTO	w/o PTO	w / PTO	w/o PTO					
51.0	48.0	43.0	40.0					

\* All measurements are approximate and for estimation purposes only.

\*\* The amount of transmission fluid shown in the following chart does not include the amount required to fill external circuits

## POWERFORCE® Transmissions comply with applicable codes and standards

All data subject to change without notice. The information in this white-page specification is believed to be accurate but all recommendations are made without warranty, since the conditions of use are beyond Central Power Systems & Services control. Central Power Systems & Services disclaims any liability in connection with the use of this information, and does not warrant against infringement by reason of the use of any of its products in combination with other material or in any process. Central Power Systems & Services warrants only that the product complies with specifications agreed to in contracts of sale. Central Power Systems & Services reserves the right to change any of the technical information and data detailed in this paper.

**CENTRAL**  
POWER SYSTEMS & SERVICES



[www.powerforce.com](http://www.powerforce.com)

POWERFORCE® - A Premium Brand For Power and Drive

© 2013 POWERFORCE® a registered brand of Central Power Systems & Services. All rights reserved. Specifications are subject to change without notice.