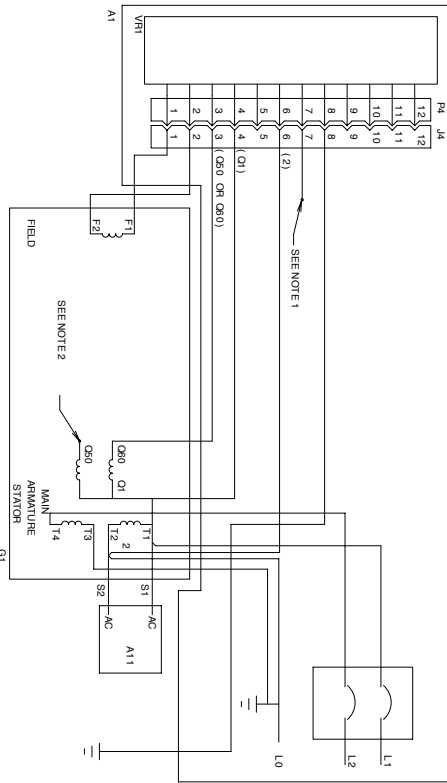
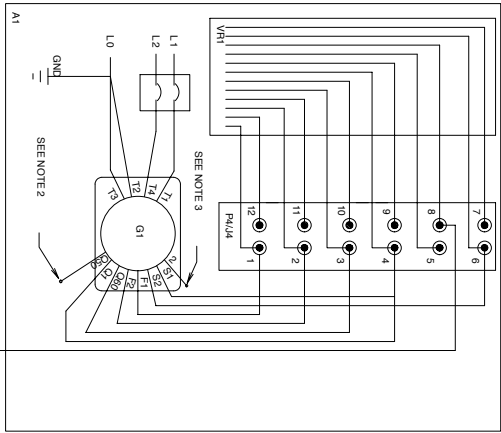


REF DES	PART NO	PNQ SIZE	QTY	DESCRIPTION
1	2	...	1	WIRE HARNESS
2	...	...	1	LEAD (F1)
3	...	...	1	LEAD (F2)
G1	...	...	1	GENERATOR
VH1	...	...	1	VOLTAGE REG OP AMR



SCHEMATIC  
110/220V, 115/230V & 120/240V AS SHOWN  
SEE RECONNECT ON CHART FOR OTHER VOLTAGES

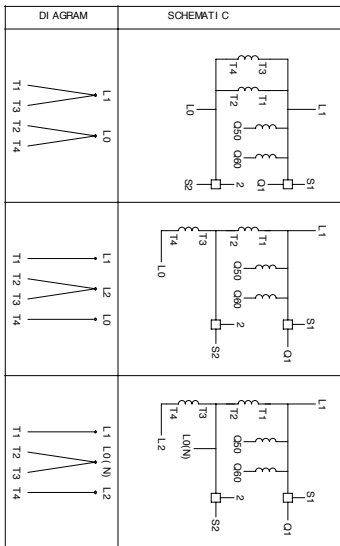


WINDING DIAGRAM  
110/220V, 115/230V & 120/240V AS SHOWN  
SEE RECONNECT ON CHART FOR OTHER VOLTAGES

**8-3**

Redistribution or publication of this document,  
by any means, is strictly prohibited.

VOLTAGE	A	B	C	HZ CODE
100	200	100/200	60	J
120	240	120/240	60	J
110	220	110/220	50	F
115	230	115/230	50	F



GENERATOR  
RECONNECTION CHART