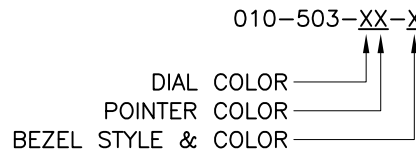


FOR CUSTOMER DRAWING  
PART NO. 010-503-XX-X C

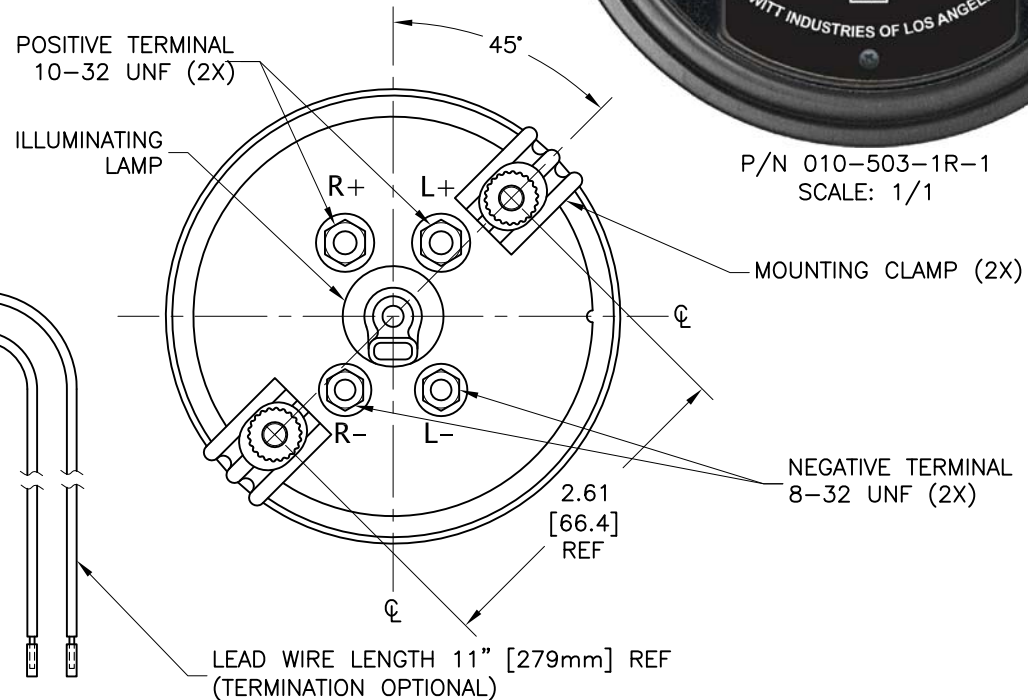
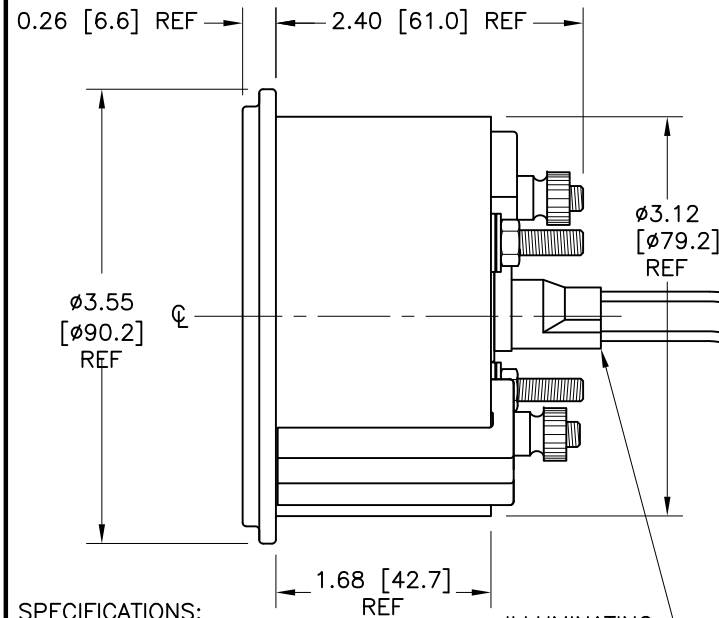
This document involves CONFIDENTIAL proprietary design rights of HEWITT IND. and all designs, manufacturing, reproduction, use and sale rights regarding same are expressly reserved. It is submitted under a confidential relationship and the recipient agrees to assume custody and control thereof and that proprietary information contained herein shall not be reproduced or transferred to others or used for manufacturing or any other purpose without prior written permission of HEWITT IND.

PART NUMBER	DIAL COLOR
010-503-1X-X	BLACK BACKGROUND, WHITE CHARACTERS
010-503-2X-X	WHITE BACKGROUND, BLACK CHARACTERS
010-503-3X-X	PLATINUM BACKGROUND, BLACK CHARACTERS

PART NUMBER	POINTER COLOR	PART NUMBER	BEZEL STYLE
010-503-XB-X	BLACK	010-503-XX-1	FLAT BLACK
010-503-XR-X	RED	010-503-XX-2	FLAT POLISHED
010-503-XW-X	WHITE	010-503-XX-3	FLAT WHITE
		010-503-XX-6	PLATINUM



P/N 010-503-1R-1  
SCALE: 1/1



**SPECIFICATIONS:**

- DIAL: 3"  
SCALE ARC: DUAL 100°  
RANGE: 300°F - 1300°F, 150°C - 700°C
- ILLUMINATION:  
INTERNAL 12 VDC OR 24 VDC.
- POINTER COLOR: SEE TABLE.
- ACCURACY:  
FULL SCALE: 2%, 2/3 SCALE: 1%.
- CALIBRATION:  
TYPE "K", FOUR OHMS EXTERNAL RESISTANCE.

A

REVISIONS					TOLERANCES		HEWITT INDUSTRIES OF LOS ANGELES	
REV.	DESCRIPTION	EO#	DATE	BY	UNLESS OTHERWISE SPECIFIED:		TITLE:	
					DIMENSIONS ARE IN INCHES, METRIC EQUIVALENTS ARE IN [BRACKETS]:		3" PYROMETER GAUGES	
					.X = .050 [1.27]		DRAWN BY: JAG	
					.XX = .030 [0.76]		PART NO. 010-503-XX-X	
					.XXX = .010 [0.25]		APPR. BY: DW	
					FRACTIONS = 1/32		DATE: 06/12/12	
					ANGLES = ±1°		SHEET 1 OF 1	
					SCALE: 2/3			